

LTC 14xx Series FlexiDome Fixed Dome Cameras

www.boschsecurity.com



BOSCH
Invented for life



- ▶ Fixed Cameras in 64 mm (2.5-inch) Domes
- ▶ 1/4-inch Format Standard and High Resolution
- ▶ Full range of color models
- ▶ Available with 2.1 mm, 3 mm or 6 mm Lenses
- ▶ All Models with advanced DSP

The FlexiDome I and II Series are fixed compact cameras in stylish surveillance domes: FlexiDome I for standard resolution and FlexiDome II for high resolution applications. The high performance 1/4-inch color CCD cameras come in a choice of 2.1 mm, 3 mm or 6 mm integral lenses for super-wide angle or standard view. Wide AC voltage ranges allow flexibility in both PAL and NTSC versions.

The FlexiDome I & II cameras are easily surface mounted on ceilings or walls to elegantly blend with their environment.. The lightly tinted dome masks the camera without significant f-stop loss. With its 24 VAC supply and line-lock capabilities, this camera is not sensitive to the color interaction between the shutter and fluorescent lighting common to DC-supplied cameras. Various configuration possibilities are available via the easily accessible switches for white balance, line-lock, phase adjustment, and backlight compensation. The camera's viewing direction can be manually adjusted, and the ball mounted construction ensures a stable camera view.

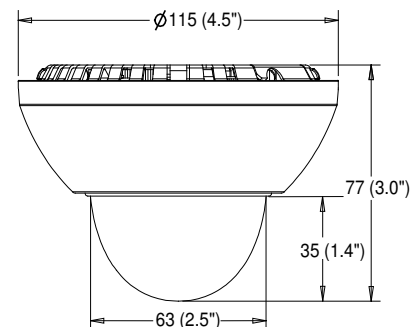
The backlight compensation and wide dynamic range, combined with the many other image enhancement features of the proprietary DSP ensure optimum contrast and a clear picture of the object at any time. Enhanced picture quality, true color reproduction, and

outstanding reliability make these domed cameras an excellent choice for indoor applications in retail, casinos, museums, malls, and bank or hotel lobbies.

Certifications and Approvals

Region	Certification
Europe	CE Declaration of Conformity

Installation/Configuration Notes



Dimensions

Parts Included

Quantity	Components
1	LTC 14xx Series FlexiDome Fixed Dome Camera with lens

Technical Specifications

Electrical

Models:	FlexiDome I	
		Lens type
	LTC 1411	2.1 mm F/2.0
	LTC 1412	3 mm F/2.0
	LTC 1413	6 mm F/2.0
	FlexiDome II	
	LTC 1421	2.1 mm F/2.0
	LTC 1422	3 mm F/2.0
	LTC 1423	6 mm F/2.0

Model No.	Voltage Range	Color Systems
LTC 141x/10, 142x/10	12 to 28 VAC or VDC	PAL
LTC 141x/20, 142x/20	12 to 28 VAC or VDC	NTSC

Power is 2 W for all models.

Imager: Interline transfer CCD; 1/4-inch image format.

	FlexiDome I	FlexiDome II
Active Picture Elements:		
PAL	500 H x 582 V	752 H x 582 V
NTSC	510 H x 492 V	768 H x 492 V

Horizontal Resolution:

Color	330 TVL	470 TVL

Signal to noise ratio (Min. AGC)	>46 dB	>48 dB
AGC	18 dB	20 dB

Sensitivity (3200 K):

	Usable Picture (50IRE)	Full Video
Scene illumination	4.5 lux (0.45 fc)	22 lux (2.2 fc)

F/2 lens, 89.9% scene reflectance.

Electronic Shutter

PAL Models: 1/50 to 1/100,000 sec.

NTSC Models: 1/60 to 1/100,000 sec.

White Balance

Continuous Tracking (ATW): 2500 K to 9000 K.

White Balance Store (AWB): 2500 K to 9000 K.

Video Output 1.0 Vpp, 75 ohm.

Aperture Correction Horizontal and vertical.

Synchronization

Line-lock (when powered by AC): Synchronizes camera to power line zero crossing for roll-free vertical interval switching. Vertical phase delay can be externally adjusted (continuously) to allow vertical synchronization in multiphase power installations.

Controls

Line-Lock Selectable On/Off.

Phase Adjust Range 330°

White balance ATW or AWB

Backlight Compensation On/Off.

Connectors

Video Out BNC.

Power Terminal block, power supply terminals are isolated from video output BNC.

Mechanical

Cable Entry Internal connections.

Mounting

Mounts on wall or ceiling.

Adjustable camera viewing position: 360° Horz.; 70° Vertical; 360° Rotation.

Viewing angle: 2.1mm lens - 90° Horz., 68° Vert.

Viewing angle: 3mm lens - 53° Horz., 38° Vert.

Viewing angle: 6mm H lens - 36° x Horz., 27° Vert.

Construction/Finish

Polycarbonate (PC) dome on molded PC/ABS housing.

Dimensions: 115 mm (4.5 in) diameter x 77 mm (3 in) height.

Weight: 0.4 kg (0.9 lb).

Environmental

Rated for indoor use.

Operating Temperature -10 °C to +45 °C (+14 °F to +113 °F)

Storage Temperature -25 °C to +70 °C (-4 °F to +158 °F)

Humidity 0% to 93% relative, non condensing

Electromagnetic Compatibility

EMC Requirements	CE Immunity, CE Emission Class B, FCC Class B.
Safety	CE, UL, cUL.

Ordering Information

LTC 1311/10 FlexiDome I

1/4-inch B/W CCIR, 380 TVL, 12 VDC/24 VAC, 50 Hz, w/2.1 mm fixed iris lens
Order number **LTC1311/10**

LTC 1311/20 FlexiDome I

1/4-inch B/W EIA, 380 TVL, 12 VDC/24 VAC, 60 Hz, w/2.1 mm fixed iris lens
Order number **LTC1311/20**

LTC 1312/10 FlexiDome I

1/4-inch B/W CCIR, 380 TVL, 12 VDC/24 VAC, 50 Hz, w/3 mm fixed iris lens
Order number **LTC1312/10**

LTC 1312/20 FlexiDome I

1/4-inch B/W EIA, 380 TVL, 12 VDC/24 VAC, 60 Hz, w/3 mm fixed iris lens
Order number **LTC1312/20**

LTC 1313/10 FlexiDome I

1/4-inch B/W CCIR, 380 TVL, 12 VDC/24 VAC, 50 Hz, w/6 mm fixed iris lens
Order number **LTC1313/10**

LTC 1313/20 FlexiDome I

1/4-inch B/W EIA, 380 TVL, 12 VDC/24 VAC, 60 Hz, w/6 mm fixed iris lens
Order number **LTC1313/20**

LTC 1411/10 FlexiDome I

1/4-inch color PAL, 330 TVL, 12 VDC / 24 VAC, 50 Hz, w/2.1 mm fixed iris lens
Order number **LTC1411/10**

LTC 1411/20 FlexiDome I

1/4-inch color NTSC, 330 TVL, 12 VDC / 24 VAC, 60 Hz, w/2.1 mm fixed iris lens
Order number **LTC1411/20**

LTC 1412/10 FlexiDome I

1/4-inch color PAL, 330 TVL, 12 VDC / 24 VAC, 50 Hz, w/3 mm fixed iris lens
Order number **LTC1412/10**

LTC 1412/20 FlexiDome I

1/4-inch color NTSC, 330 TVL, 12 VDC / 24 VAC, 60 Hz, w/3 mm fixed iris lens
Order number **LTC1412/20**

LTC 1413/10 FlexiDome I

1/4-inch color PAL, 330 TVL, 12 VDC / 24 VAC, 50 Hz, w/6 mm fixed iris lens
Order number **LTC1413/10**

LTC 1413/20 FlexiDome I

1/4-inch color NTSC, 330 TVL, 12 VDC / 24 VAC, 60 Hz, w/6 mm fixed iris lens
Order number **LTC1413/20**

LTC 1321/10 FlexiDome II

1/4-inch B/W CCIR, 570 TVL, 12 VDC / 24 VAC, 50 Hz, w/2.1 mm fixed iris lens
Order number **LTC1321/10**

LTC 1321/20 FlexiDome II

1/4-inch B/W EIA, 570 TVL, 12 VDC / 24 VAC, 60 Hz, w/2.1 mm fixed iris lens
Order number **LTC1321/20**

LTC 1322/10 FlexiDome II

1/4-inch B/W CCIR, 570 TVL, 12 VDC/24 VAC, 50 Hz, w/3 mm fixed iris lens
Order number **LTC1322/10**

LTC 1322/20 FlexiDome II

1/4-inch B/W EIA, 570 TVL, 12 VDC/24 VAC, 60 Hz, w/3 mm fixed iris lens
Order number **LTC1322/20**

LTC 1323/10 FlexiDome II

1/4-inch B/W CCIR, 570 TVL, 12 VDC / 24 VAC, 50 Hz, w/6 mm fixed iris lens
Order number **LTC1323/10**

LTC 1323/20 FlexiDome II

1/4-inch B/W EIA, 570 TVL, 12 VDC / 24 VAC, 60 Hz, w/6 mm fixed iris lens
Order number **LTC1323/20**

LTC 1421/10 FlexiDome II

1/4-inch color PAL, 470 TVL, 12 VDC/24 VAC, 50 Hz, w/2.1 mm fixed iris lens
Order number **LTC1421/10**

LTC 1421/20 FlexiDome II

1/4-inch color NTSC, 470 TVL, 12 VDC/24 VAC, 60 Hz, w/2.1 mm fixed iris lens
Order number **LTC1421/20**

LTC 1422/10 FlexiDome II

1/4-inch color PAL, 470 TVL, 12 VDC/24 VAC, 50 Hz, w/3 mm fixed iris lens
Order number **LTC1422/10**

LTC 1422/20 FlexiDome II

1/4-inch color NTSC, 470 TVL, 12 VDC/24 VAC, 60 Hz, w/3 mm fixed iris lens
Order number **LTC1422/20**

LTC 1423/10 FlexiDome II

1/4-inch color PAL, 470 TVL, 12 VDC/24 VAC, 50 Hz, w/6 mm fixed iris lens
Order number **LTC1423/10**

LTC 1423/20 FlexiDome II

1/4-inch color NTSC, 470 TVL, 12 VDC/24 VAC, 60 Hz, w/6 mm fixed iris lens
Order number **LTC1423/20**

Represented by:

Americas:

Bosch Security Systems, Inc.
130 Perinton Parkway
Fairport, New York, 14450, USA
Phone: +1 800 289 0096
Fax: +1 585 223 9180
security.sales@us.bosch.com
www.boschsecurity.us

Europe, Middle East, Africa:

Bosch Security Systems B.V.
P.O. Box 80002
5617 BA Eindhoven, The Netherlands
Phone: + 31 40 2577 284
Fax: +31 40 2577 330
emea.securitysystems@bosch.com
www.boschsecurity.com

Asia-Pacific:

Robert Bosch (SEA) Pte Ltd, Security
Systems
11 Bishan Street 21
Singapore 573943
Phone: +65 6571 2808
Fax: +65 6571 2699
apr.securitysystems@bosch.com
www.boschsecurity.asia

China:

Bosch (Shanghai) Security Systems Ltd.
201 Building, No. 333 Fuquan Road
North IBP
Changning District, Shanghai
200335 China
Phone +86 21 22181111
Fax: +86 21 22182398
www.boschsecurity.com.cn

America Latina:

Robert Bosch Ltda Security Systems Division
Via Anhanguera, Km 98
CEP 13065-900
Campinas, Sao Paulo, Brazil
Phone: +55 19 2103 2860
Fax: +55 19 2103 2862
al.securitysystems@bosch.com
www.boschsecurity.com