

## Integrated Outdoor Speed Dome Camera

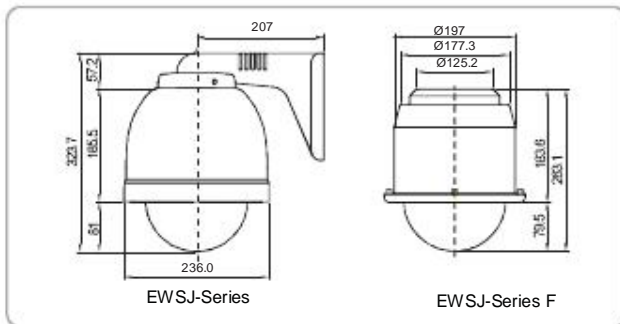


### FEATURES

- 1/4" Sony Super HAD CCD/ 1/4" Sony DD Interline Tfr CCD
- Optical 27x, 33x, 37x zoom, Digital 12x
- WDR
- Image stabilizer
- IP66 Outdoor Application
- Easy interface with DVR, Matrix system and Video Server
- 255 Presets - Pan : 380°/sec ±0.1°, Tilt : 150°/sec ±0.01° Accuracy
  - 64 steps proportional to zoom
- 8 programmable Tour
- 4 Pattern
- Digital Auto Flip
- Polycarbonate Dome Cover (166Ø)
- 8 Alarm Inputs(Normal Open or Normal Close), 2 relay outputs
- 8 Auto Scan(Programmable speed and diagonal scan)
- Pan Motion Allows 0.1°-90°/sec Pan Speed
- Programmable Privacy Masking(8 Zones)
- RS-422, RS-485 communication support and remote program update
- Multiple protocol
- Built-in Menu System for Setup of Programmable Functions
- Programmable Zoom Speeds
- AC 24V, 2A(with Outdoor Housing)

### DIMENSIONS

Unit : mm



### SPECIFICATIONS

#### MECHANICAL

Pan	360° Continuous Pan
	0.1° to 90°/sec (64 steps proportional to zoom)
Pan Preset Speed	380°/sec, ± 0.1° Accuracy
Tilt	0.1° to 90°/sec. (64 steps proportional to zoom)
Tilt Preset Speed	150°/sec, ± 0.01° Accuracy
Weight	Approx. 4.4Kg (10.8 lbs) / Packing : 4.9Kg
Dimensions	236(Ø) x 323.7(H) mm – 166(Ø) dome

#### ENVIRONMENTAL

Construction	Aluminum
Ingress Protection	IP66 (Outdoor Housing)
Color	Cool gray
Operating Temp	-20°C to 50°C (Fan&Heater power ON)
Storage Temp	-10°C to 50°C (14° F to 122° F)
Humidity	0% to 90% (non-condensing)

#### FUNCTIONS

Preset	255 points
	less than 0.1° accuracy
Tour	8 programmable
Pattern	4 patterns for 240 second.
Flip	Digital ON/OFF
Scan	8 (programmable speed and diagonal scan)
Privacy Zone	4 blocks with title (Mask)
ID Address	Up to 255 selectable ID (Rotary switch)
Data Communication	RS-485 / RS-422
Protocol	Multiple protocol (PELCO-D/P)
Baud rate	2400, 4800, 9600, 19200, 38400, 57600 bps selectable
Alarm In	8 alarm
Alarm Out	2 relay out
Display	16 Area title

#### ELECTRICAL

Power	21~28VAC 60Hz / 50Hz(Power adaptor not included)
Camera	18.0W
Heater	33W or 62.7W, Fan Power Consumption: 3.4W
RS-422, 485	Dip Switch setting

#### USER CONNECTIONS

RS-485, 422	RS-422, 485 + / - Optional Control Data
Video connection	BNC
Alarm Inputs	8 Programmable
Relay Out	2 Dry Contact Output Rating: 2A @ 30VAC

#### CERTIFICATION

CE, FCC CLASS A, RoHS

## Integrated Outdoor Speed Dome Camera

### CAMERA SELECTION

PAL	EWSJ-270	EWSJ-331	EWSJ-371
Image Sensor	1/4 inch Sony Super HAD CCD		1/4 inch Sony Double Density Interline Transfer CCD
Lens	27x Optical, Digital 12x		33x Optical, Digital 12x
Total Pixels	811 x 508 (NTSC), 795 x 596 (PAL)		37x Optical, Digital 12x
Effective Pixels	768 x 494 (NTSC), 752 x 582 (PAL)		
Resolution	550 TV Lines (Color) / 680 TV Lines (B/W)		
Focus mode	Auto Focus / Manual Focus / One-push AF		
Iris mode	Automatic with Manual Override		
Video Output	Composite 1.0Vp-p, 75Ω, BNC		
Sync.	Internal Sync		
S/N Ratio	Higher than 50dB (AGC OFF)		
Min. Illumination	0.4Lux/F1.6(Color), 0.02Lux/F1.6(B/W) / (@50IRE)	0.7Lux/F1.6(Color), 0.03Lux/F1.6(B/W) / (@50IRE)	0.7Lux/F1.6(Color), 0.06Lux/F1.6(B/W) / (@50IRE)
Electronic Shutter	AUTO / MANUAL / A.FLK (1/120,000 – X256)		
Privacy Function	ON / OFF (4Areas)		
Flip	ON/OFF		
DIS	ON/OFF		
DNR	LOW / MEDIUM / HIGH/OFF		
Day&Night	AUTO/COLOR/BW/EXT, IR-Cut Filter Removable		
White Balance	ATW / AWC / MANUAL / INDOOR / OUTDOOR (1,800K-10,500K)		
Back Light	BLC / HLC / OFF	WDR / BLC / HLC / OFF	
Lens Initialize	Built-in		
Iris	AUTO / MANUAL		
Gain Control	LOW / MEDIUM / HIGH / MANUAL / OFF		
OSD Display	ON/OFF		
Focal length	f3.5 ~ 94.5mm (F 1.6 to 2.9)	f3.5 ~ 115.5mm (F 1.6 to 3.6)	f3.5 ~ 129.5mm (F 1.6 to 3.9)
Digital Zoom	OFF, ON (Limit 12x)	OFF, ON (Limit 12x) (Total 444X Zoom)	
Min. Focus Distance	1,500mm		
Coverage Angle	F=3.5mm 55.5° (Horizontal) X 42.5°(Vertical)		
	f=94.5mm 2.24° (Horizontal) X 1.79° (Vertical)	f=115.5mm 1.77° (Horizontal) X 1.33°(Vertical)	f=129.5mm 1.59° (Horizontal) X 1.19°(Vertical)

### Digital Noise Reduction

By using the DSP chip applied to the DNR technology, the amount of low illuminance noise has been significantly reduced, and the signal-to-noise ratio(S/N) as well as horizontal resolution has been improved, resulting in a clear and sharp image display even in the dark.



Normal



Digital Noise Reduction

### Digital Image Stabilization

As zoom ranges are extended, image stabilization becomes increasingly important. The image stabilization algorithms of these cameras eliminate camera shake for exceptional image clarity. This will achieve clarity without reducing camera sensitivity or picture quality



Normal



Digital Image Stabilization

### Sens Up

When Input luminance level is too dark, Sens-Up(Slow Shutter) function is set automatically. User can select the sens-up limit value.

### Powerful and Versatile Zoom Capability

These cameras use 27x, 33 and 37x zoom lens. When used in combination with its 12x digital zoom, the camera achieves a zooming capability of up to 324x, 396 and 444x.

### Auto ICR

These cameras offers optimal sensitivity in both day- and night-shooting applications. At a set level of darkness, the IR-cut filter is automatically disabled (ICR ON) and the near-infrared sensitivity is increased. At a set level of brightness, the filter is automatically enabled (ICR OFF). The IR-cut filter automatically engages depending on the ambient light, allowing the camera 24/7 operation in a variety of lighting conditions.

### Wide Dynamic Range Image